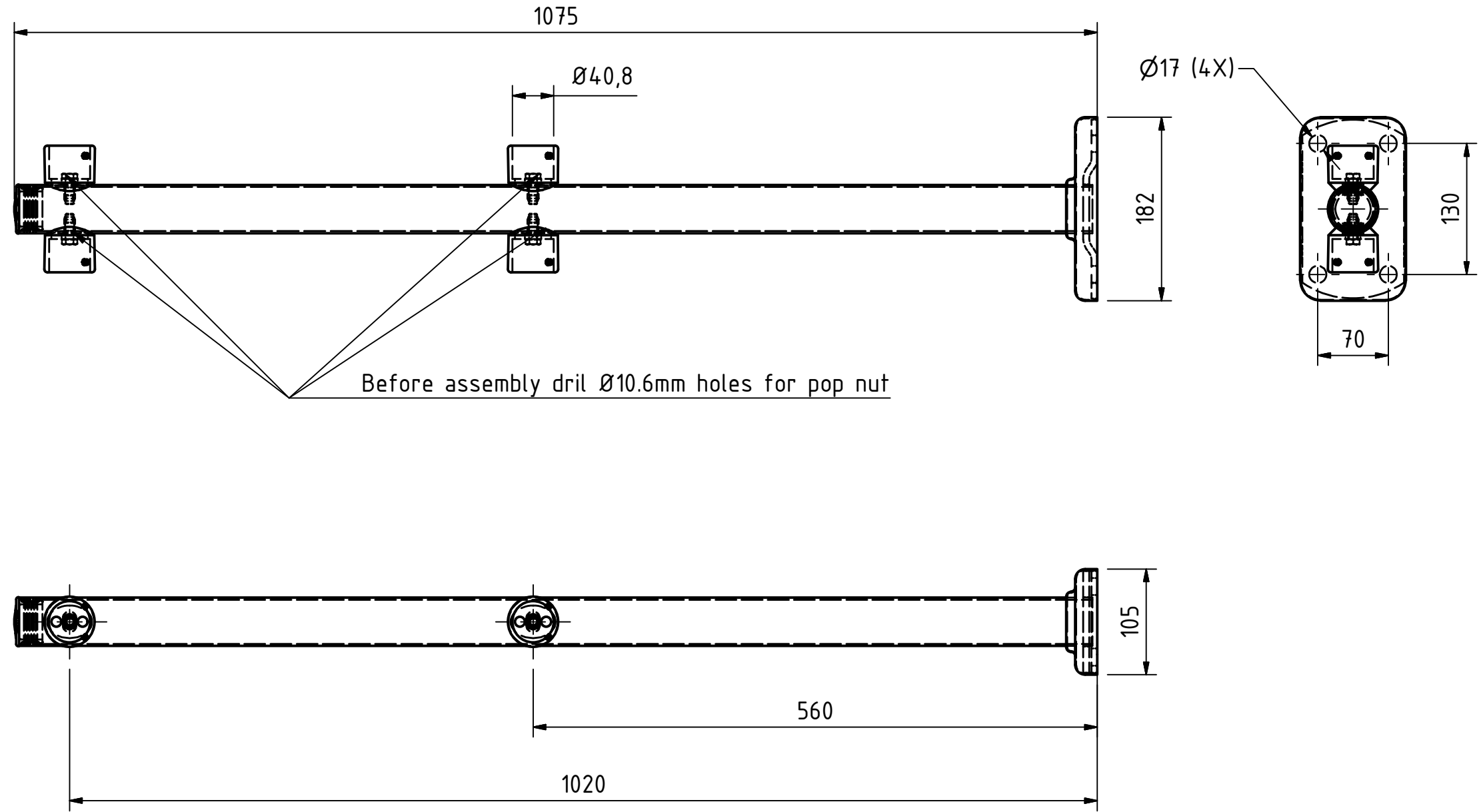
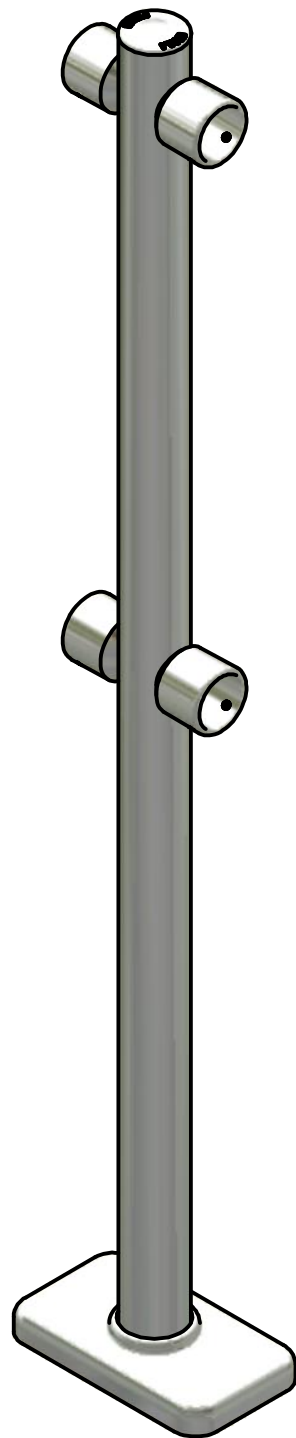


Nr	Ändring	Datum	Inf.	Godk.
B	Changed details 10230-10	090401	mujo	
C	+10019-10, -10230-10 +10242-30, +28641-01, -10346-00	100901	mujo	



4	4	Popnut M8 UKO 45	Steel	28641-01
3	4	Screw M6S M8x25 galvanized	Steel, Mild	10242-30
2	4	Tube socket concave R24 chrome		10214-10
1	1	Upright chrome Ø48 1080		10019-10
Item	Qty	Title	Material	Part number
Designer	Drawer	Approved	Where no tolerance is specified:	Scale
	109mure		SS-ISO 2768-m	1:5
			Middle upright chrome Ø48	
			Weight	Date
				2010-09-02
			Dwg.no.	11008-10 C